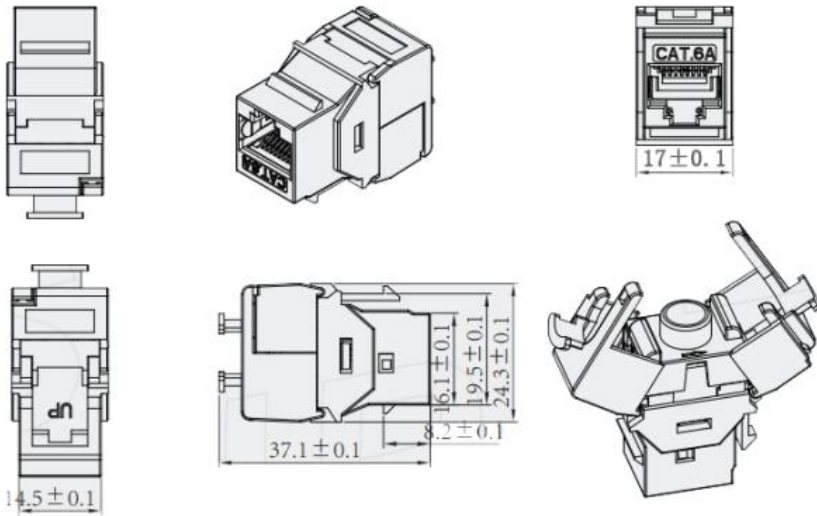




## Part Number: LTKJ-STPC6A-180

Cat.6A STP Keystone Jack, 180° , Toolless

### Structure



### Technical Specifications

Housing material	Zinc Alloy
Insert material	Flame Retardant PC
PCB material	FR-4T=1.2mm
Contact material	Phosphor bronze stamp PIN T=0.35mm
IDC contact material	Phosphor bronze T=0.50mm WITH TIN PLATING
RJ45 JACK LIFE	750 TIMES MIN
IDC LIFE	200 TIMES MIN
Storage ENVIRONMENTAL	-40°TO +70°
Operation	-10°TO 60°
Voltage rating	125 VAC RMS
Current rating	1.5 AMP
WIRE	AWG 22~24
TIA Cat 6A Perm	Link Test: Worst pair NEXT margin ≥ 3.0dB
Contact resistance	20 Milliohms MAX
Insulation resistance	100 Megohms MIN @ 500 VDC
Dielectric strength	750 VAC RMS 60Hz, 1MIN