



LTWM-6404



LTWM-6609

Wall-Mount Network Cabinet (Single Section)

Feature:

- 19" standard installation welded frame, reliable structure.
- Assembled frame structure, easy handling, to maximize save shipping cost.
- Standing or wall mounting installation, adjustable feet and castor are optional.
- Easy mounting installation (patent).
- Removable side panels, side locks optional.
- Knock out hole for entering cable on both of top cover and bottom panel.
- Toughened glass front door, turning angle is over 180 degrees.

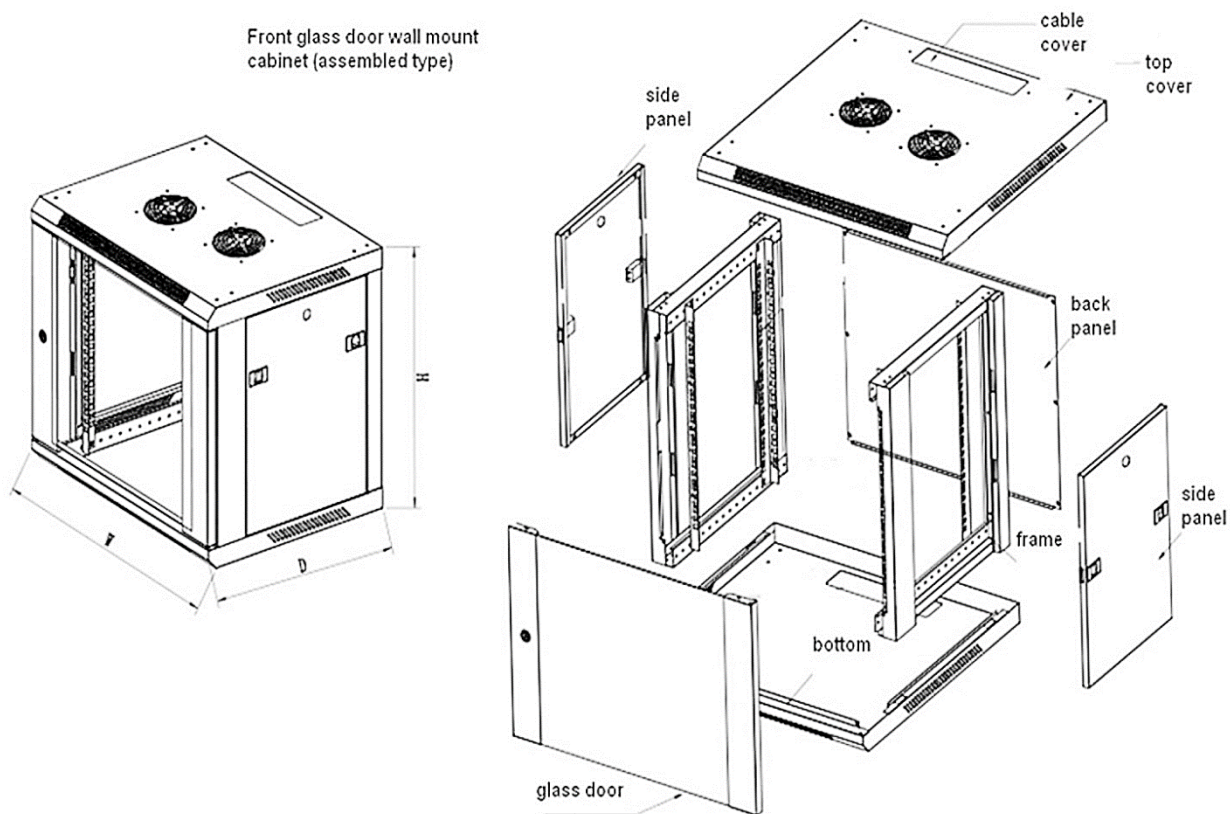
Physical Characteristics (Overall)

Life Tech wall mount network cabinet (single section)	
Main Material	SPCC cold rolled steel
Thickness	Mounting profile 1.5mm, mounting angle 1.2mm
Surface Finish	Degreasing, pickling, phosphoric, powder coated
Degree of Protection	IP20
Loading Capacity	Static loading: 60KG
Color	Black RAL9004

Product Details



Main Structure



Main Parts

S/N	Specification	Quantity	Unit	Material	Surface finish	Remark
1	Frame	2	Piece	SPCC Cold rolled steel 1.2	Powder coated	—
2	Side panel	2	Piece	SPCC Cold rolled steel 1.0	Powder coated	—
3	Back panel	1	Piece	SPCC Cold rolled steel 1.0	Powder coated	—
4	Bottom panel	1	Piece	SPCC Cold rolled steel 1.0	Powder coated	—
5	Top cover	1	Piece	SPCC Cold rolled steel 1.0	Powder coated	—
6	Front glass door	1	Piece	5MM Toughened glass	—	—
7	Mounting profile	4	Piece	SPCC Cold rolled steel 1.5	Powder coated	—
8	Cable cover	2	Piece	SPCC Cold rolled steel 1.0	Powder coated	—
9	Round lock	1	Piece	—	—	Side locks optional
10	M6 screw	12/20	Set	—	—	20pcs for 15U & 18U
11	Allen wrench	1	Piece	—	—	—

Dimension

Part NO.	Capacity(U)	Width(mm)	Depth(mm)	Height(mm)
LTWM-5304	4U	600	350	280
LTWM-6404			450	
LTWM-6406	6U		450	370
LTWM-6606			600	
LTWM-6409	9U		450	500
LTWM-6609			600	
LTWM-6412	12U		450	635
LTWM-6612			600	
LTWM-6415	15U		450	770
LTWM-6615			600	
LTWM-6418	18U	450	900	
LTWM-6618		600		